

# prophete

## Assembly instructions

### Wall mount



#### Notes on this assembly instructions

- Please read the assembly instructions carefully before using the product for the first time. This will help you to familiarize yourself with the product more quickly and avoid operating errors that could lead to damage or accidents. In particular, follow the safety instructions and hazard warnings.
- Keep the assembly instructions and pass them on when selling or passing on the product.
- The current version of these operating instructions can be downloaded from our website [www.prophete](http://www.prophete)

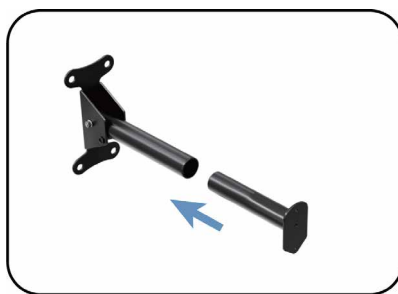
#### Notes on assembly

- The wall bracket may only be used on suitable walls with sufficient hanging load. In particular, do not mount it on plasterboard walls, hollow walls or free-standing walls.
- Only use dowels/fastening material that are suitable for the wall.
- You will need a 10 mm drill for the metal dowels supplied.

#### Scope of delivery



#### Installation steps



1. Insert the front circular tube into the base.



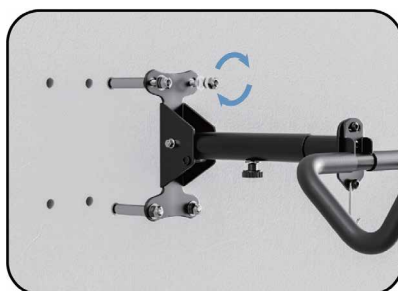
2. Insert the key for adjusting the length into the screw hole.



3. Connect the hook to the installed base.



4. Install the hook in the indicated position.

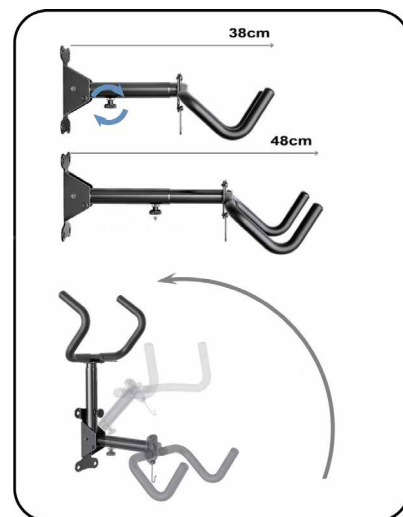


4. Drill holes on the wall according to the spacing between the base screw holes and secure them firmly with expansion screws.

#### Parking method



Adjust the angle of the hook using the adjustment screws so that the bike can be hung up safely. If necessary, secure it with suitable tools.



The length of the hook can be adjusted using the knurled screw. The hook can be folded up for storage.

#### Technical data

MODEL	Prophete wall mount #7661
MATERIAL	steel
WEIGHT	1,1 kg
DIMENSIONS	(35~48) x 48 x 18 cm
COLOR	black